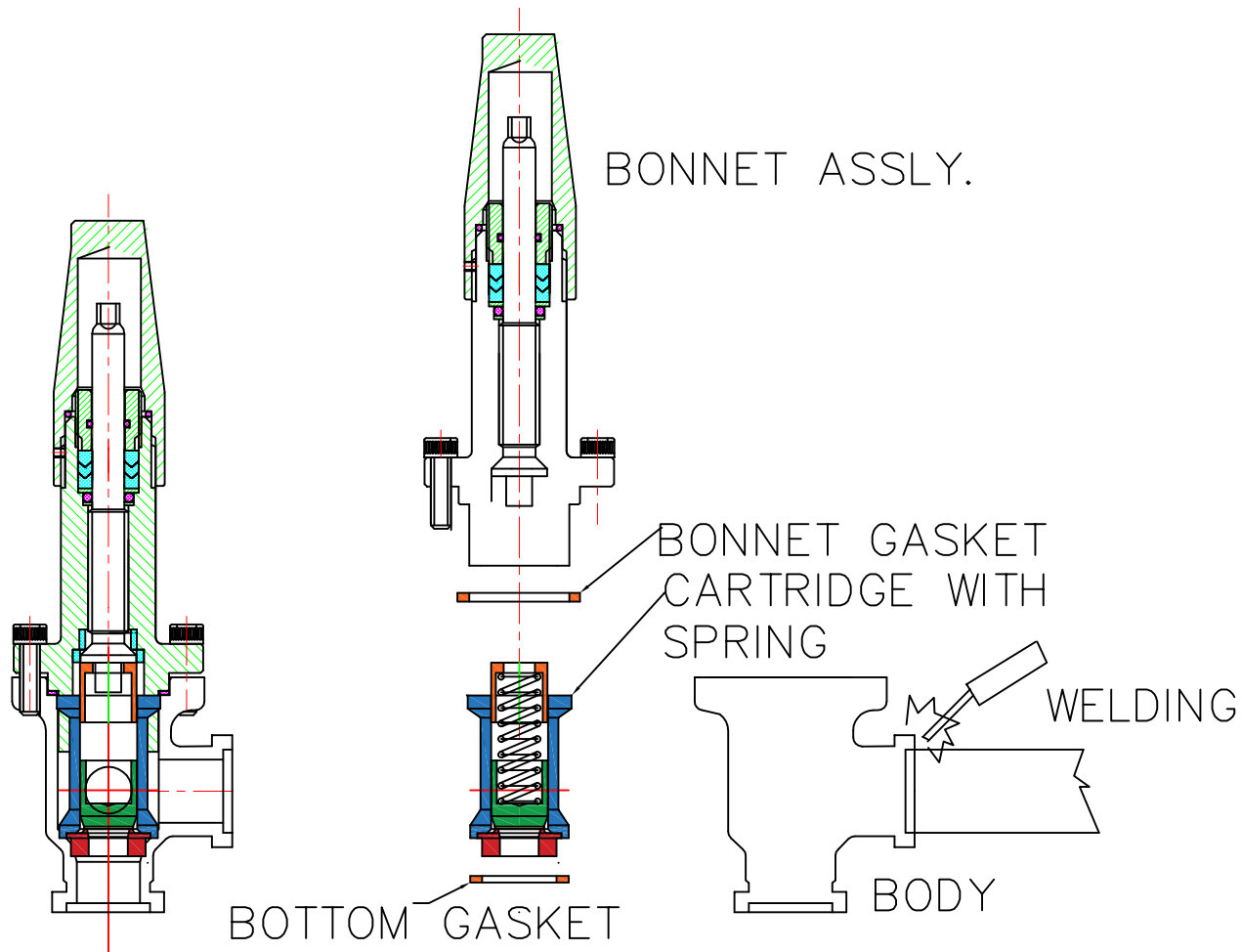


SUPERFEEZE

OVERFLOW VALVE
INSTALLATION



BEFORE PREPARING FOR WELDING DO FOLLOWING.
REMOVE CAP.
TURN SPINDLE TO RAISE IT UP AND LOOSE THE SPRING TENSION.
REMOVE BOLTS OF BONNET.
REMOVE BONNET AND CARTRIDGE FROM THE BODY.
PROCEED FOR WELDING.
CLEAN BODY AFTER WELDING.
REPLACE BOTTOM GASKET.
REPLACE CARTRIDGE WITH SPRING AND BUSH.
REPLACE BONNET AND FIX IT WITH BOLTS.
SET PRESSURE BY TIGHTENING THE SPINDLE. YOU SHALL NEED A PRESSURE GAUGE FOR THE PURPOSE.
REPLACE CAP.