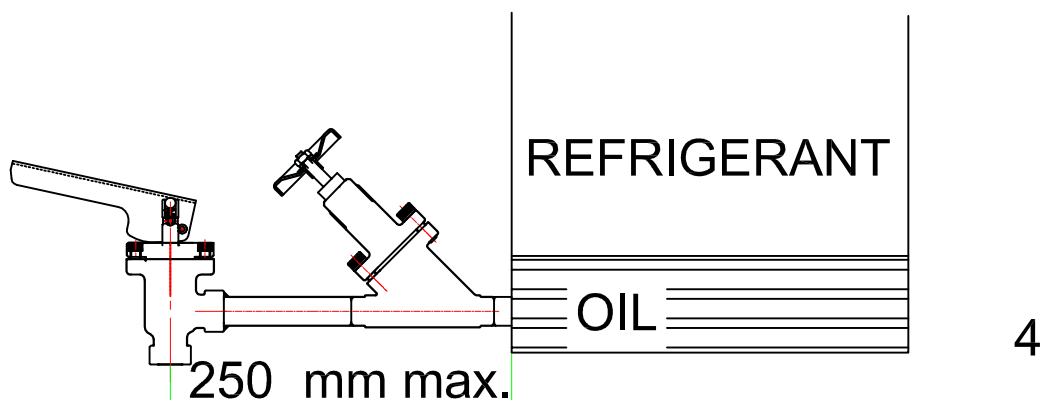
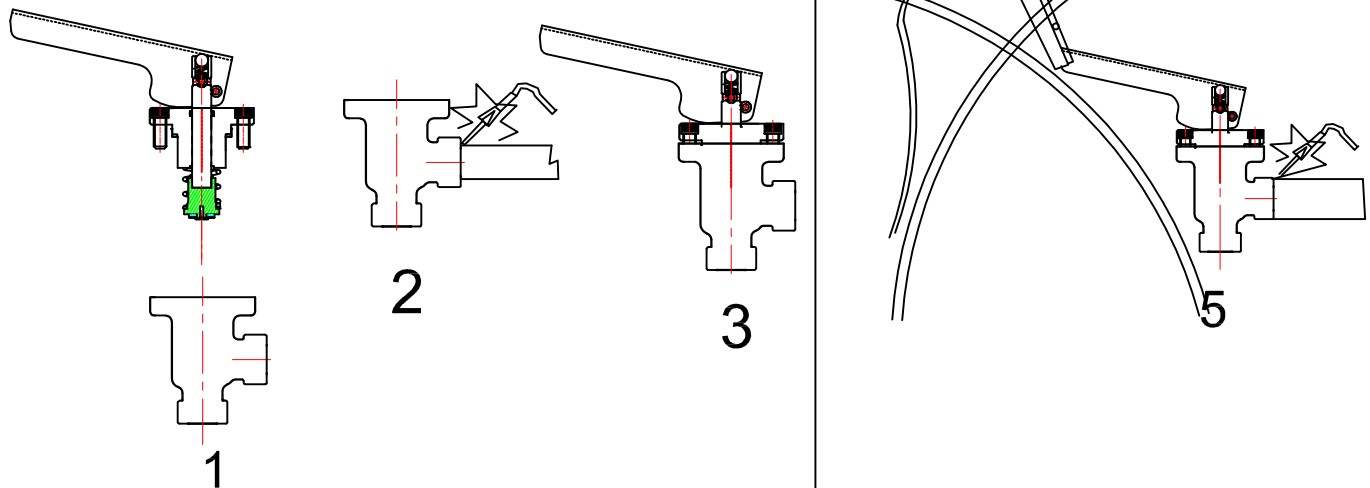


SUPERFREEZE INDIA LTD. OIL DRAIN VALVE



INSTALLATION INSTRUCTION

- 1. Drain valve should be installed in vertical position*
- 2. Drain valve should be installed after stop valve. distance between drain valve and stop valve should be kept minimum.*
- 3. Inlet is from side branch*
- 4. Welding must be done after removing bonnet.*
- 5. Re-fix bonnet after welding.*
- 6. Do not use handle or any other valve part for earthing.*
- 7. Keep stop valve close all the time. When oil is required to be drain, first open stop valve and then drain valve. After draining oil close the stop valve.*