



SUPERFREEZE



INLINE CHECK VALVES



SUPERFREEZE

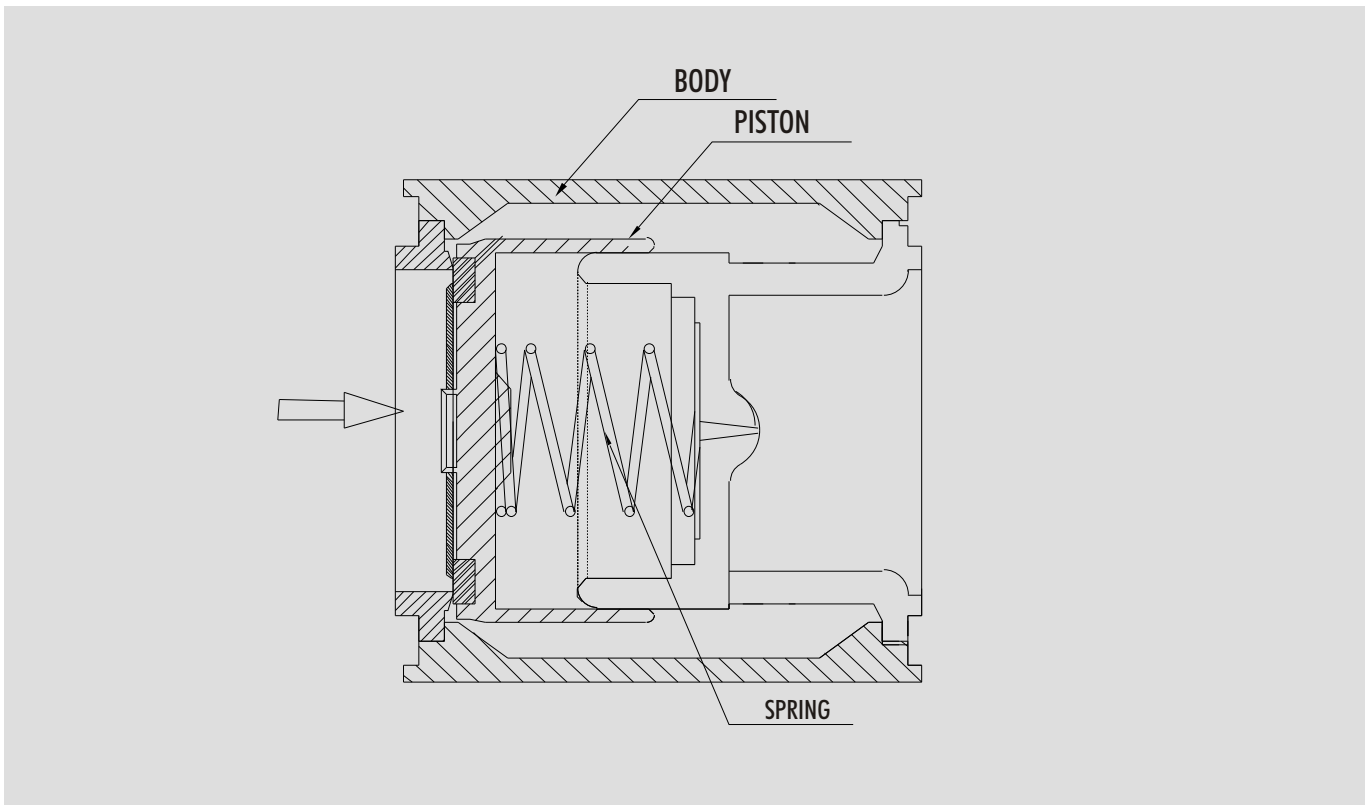
INLINE CHECK VALVES

TYPE : WSCK

PORT SIZES : 1" thru 3"

REFRIGERANTS

Suitable for all common refrigerants including R-717(ammonia), R-22, R-134a, Neutral, Gaseous and liquid media.



INTRODUCTION

The **SUPERFREEZE** SCK series of dependable, compact rugged in line check valves (Non return valves) is ideally suited for refrigerant flow control applications. Valves open wide for flow in the arrow direction on the valve body. Valves close quickly and reliably when flow reversals occur. Plated bodies, stainless steel seat disc and springs enable them to withstand expected industrial refrigeration conditions. Furthermore, these check valves can be mounted in any positions.



SUPERFREEZE

INLINE CHECK VALVES

APPLICATION

Suitable for all standard refrigerants such as R-12, R-22, R-502, R-717, R-134a. These in line check valves are designed to provide refrigerant flow control to hot gas lines, liquid lines, compressor discharge lines, suction lines, and hot gas heated drain pan. These valves are not recommended for slow speed compressor discharge lines or for any compressor discharge where a low speed machine discharges into the same downstream header, or for use on side port suction lines on a screw compressor installation.

MATERIAL SPECIFICATIONS

Body	:	ASTM A-108
Piston	:	S.S. AISI 304
Retainer	:	ASTM A-106 Zinc Plated
Seat ring	:	Premium grade virgin Teflon (PTFE)
Spring	:	Stainless steel
Piston guide	:	Ductile iron ASTM A-536
Flanges	:	ASTM A-108
Safe working pressure	:	365psig (25 bar)
Operating Temp	:	-46°C to 116°C (-50F to 240F)

OPERATION

These are light spring-closing check valves. An increase in the pressure drop across the valve overcomes the force of the closing spring and piston is forced away from its seat, permitting flow. As the flow decreases or ceases, the piston is forced back towards its seat by the expansion of the closing spring, flow is then stopped.

FEATURES

- Can be Installed in any position
- Stainless steel internal parts
- Lapped metal seat
- Low pressure drop
- Compact size occupies very little space

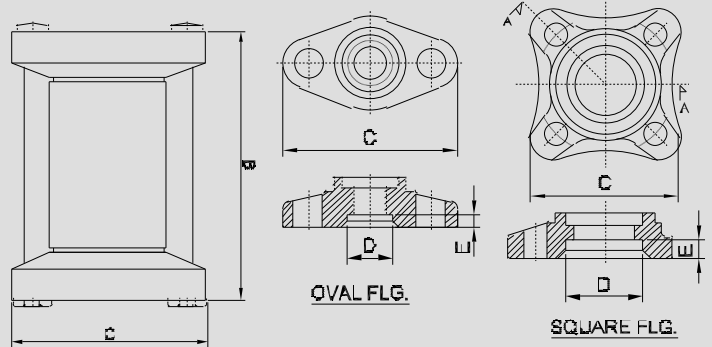


SUPERFREEZE

INLINE CHECK VALVES

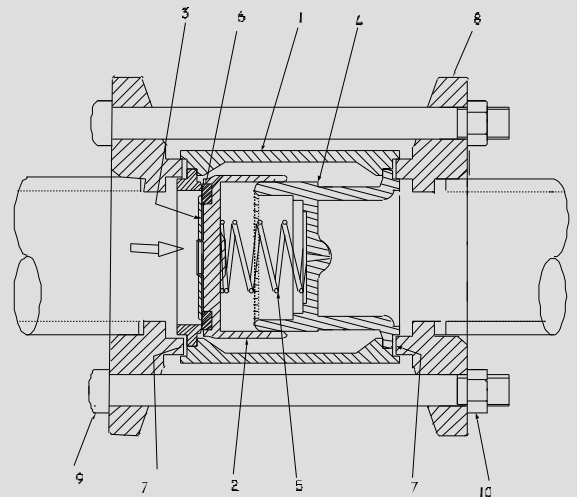
INSTALLATION DIMENSIONS

Inline Check Valve					Flange Type	Bolt Size (High Tensile)
Cat No	B	C	D	E		
WSCK25	103	116	35	9	OVAL	5/8"
WSCK32	154	102	44	11	SQUARE	5/8"
WSCK40	154	111	50	14	SQUARE	5/8"
WSCK50	175	125	61.5	16	SQUARE	5/8"
WSCK65	183	154	77.5	18	SQUARE	5/8"
WSCK80	198	158	90	18	SQUARE	5/8"



PART LIST

Sl. No.	Description	QTY	PART NO.
1	Body	1	55060100
2	Piston	1	55061700
3	Retainer	1	55060600
4	Piston guide	1	55062400
5	Spring	1	55061900
6	Seat ring	1	55060500
7	Gasket	2	55061100
8	Flange	2	5061800
9	Bolt	4	55061000
10	Nut	4	55062300



The above part list pertains to WSCK 50 refer annexure A for details of part no.



SUPERFREEZE

INLINE CHECK VALVES

ORDERING INFORMATION

Cat No.	Port Size	Flange Connection
WSCK 25	1" (25 MM)	1"
WSCK 32	1-1/4" (32 MM)	1-1/4"
WSCK 40	1-1/2" (40 MM)	1-1/2"
WSCK 50	2" (50 MM)	2"
WSCK 65	2-1/2" (65 MM)	2-1/2"
WSCK 75	3" (75 MM)	3"

INSTALLATION

Valve may be located in any position. Arrow on valve body should match direction of flow. Secure valve with gaskets between flanges and tighten bolts evenly. Do not use this valve or any component to align pipes or gap between flanges.

Do not install on inlet side of solenoid valves or control valves with electric shutoff or shut-off valves unless a relief valve is used from therein between piping.

SUPERFREEZE INDIA LIMITED
122, Qutab Plaza DLF Phase-1
Gurgaon-122002 (Haryana), India.
Tel: +91-124-4301636, +919810048749
Fax: +91-1276-241549
Email: sales@superfreeze.com
Website: www.superfreeze.com