



SUPERFREEZE



FLOW INDICATOR
EGOM INDICVALOB



TYPE : SFI
PORT SIZE : 1/2" thru 2 1/2" (15mm thru 65mm)

INTRODUCTION

Sight flow indicator provides a quick, reliable and economical way to verify the flow of refrigerant in refrigeration system

APPLICATIONS

It is suitable for R-717 (Ammonia), R-22, R-134a and also other approved refrigerants. It is used in refrigeration system pipeline

CONNECTIONS

- Flanged
- Butt weld

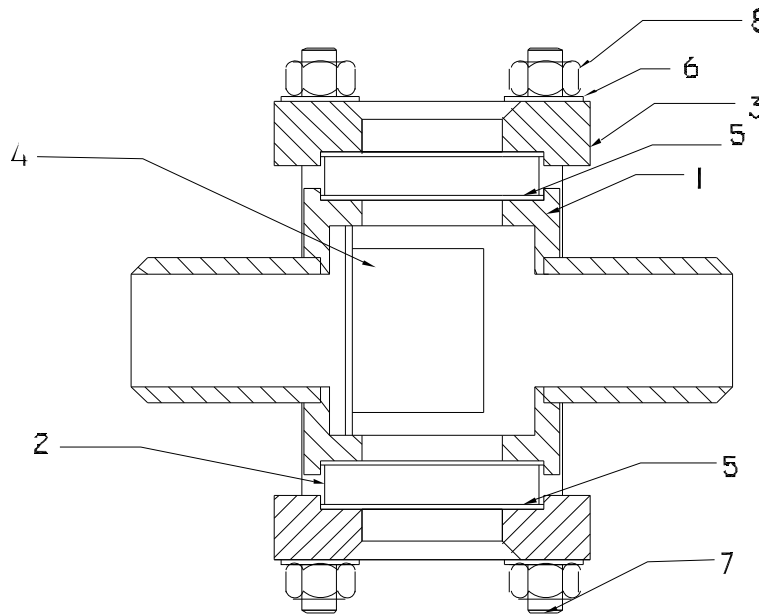
MATERIAL SPECIFICATIONS

Body : Steel, ASTM A-108
Reflex : Clear, borosilicate tempered glass.
Packing : Non asbestos
Safe working pressure : 365psig (25 bar)

ORDERING INFORMATION

Size	Cat No
1/2"	SFI15
3/4"	SFI20
1"	SFI25
1-1/4"	SFI32
1-1/2"	SFI40
2"	SFI50
2-1/2"	SFI65

PART LIST



ITEM	DESCRIPTION	QTY	PART NO
1	BODY	1	95030100
2	GLASS	2	95032103
3	FLANGES	2	95031800
4	FLAPPER	1	95031600
5	GASKET	4	95031100
6	WASHER	8	95031500
7	STUD	4	95032700
8	NUT	4	95032304

The above part number pertains to SFI 1”
Refer annexure 'A' for details of part no.