



**SUPERFREEZE**



**FLANGES**  
FLANGES



**SUPERFREEZE**

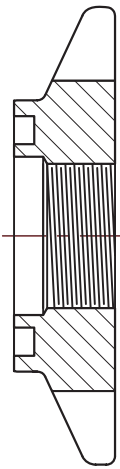
## FLANGES

TYPE : SWF

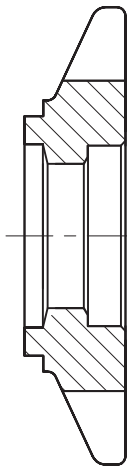
PORT : 1/4" thru 12" (06 mm thru 300 mm)

### REFRIGERANTS

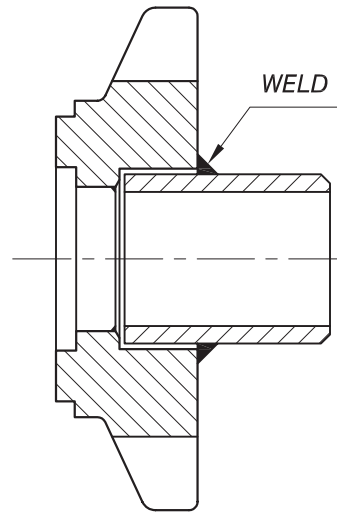
R-717 Ammonia, R12, R-22 and other common refrigerants.



FPT  
FEMALE  
PIPE THREAD



SW  
SOCKET  
WELD



WN  
WELD  
NECK

### FEATURES

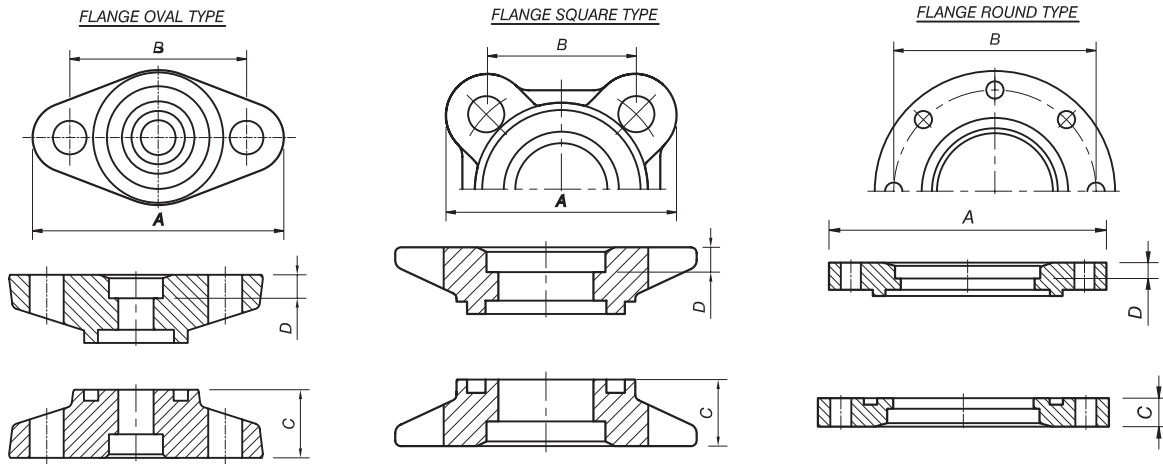
1. Material : ASTM A-105 Forged Steel.
2. Tongue and Groove Type.
3. The following connection styles are available:
  - a. Female Pipe Thread (FPT)
  - b. Socket Weld (SW)
  - c. Weld Neck (WN), Metric WN flanges also available in connection sizes ranging from 15 to 150 mm. Consult factory for details.



**SUPERFREEZE**

# FLANGES

## FLANGES AND PIPE DIMENSIONS



STYLE OF FLANGE	PIPE SIZES				EQUIVALENT METRIC STEEL TUBING	SOCKET WELD		WELD NECK		FLANGE DIMENS	BOLT CENTRE	FLANGE WIDTH	DEPTH OF SOCKET	BOLT SIZE	
	NOMINAL SIZE	ACTUAL O.D.		NW		O.D. mm	FLANGE I.D.		FLANGE O.D.						
		Inch	mm				Inch	mm	Inch						mm
OVAL 2-BOLT	1/4"	6	0.54	13.72	6	13.5	0.56	14.3	0.54	13.72	89	54	29	10	1/2"
	3/8"	10	0.675	17.14	10	17.2	0.695	17.5	0.675	17.14	108	76	29	10	1/2"
	1/2"	15	0.84	21.34	15	21.3	0.86	22	0.84	21.34	108	76	29	10	1/2"
	3/4"	20	1.05	26.67	20	26.9	1.09	28	1.05	26.67	108	76	29	13	5/8"
	1"	25	1.315	33.4	25	33.7	1.365	34.5	1.315	33.4	116	82.5	29	13	5/8"
SQUARE 4-BOLT	1 1/4"	32	1.66	42.16	32	42.4	1.705	43.5	1.66	42.16	101	61	33	13	5/8"
	1 1/2"	40	1.9	48.25	40	48.3	1.93	50	1.9	48.25	108	68	33	13	5/8"
	2"	50	2.375	60.32	50	60.3	2.445	62	2.375	60.3	120	79.5	36	16	5/8"
	2 1/2"	65	2.875	73.02	65	76.1	2.945	75	2.875	73.03	152	101.5	36	16	3/4"
	3"	80	3.5	88.9	80	88.9	3.575	90.8	3.5	88.9	160	105.5	38	16	3/4"
	4"	100	4.5	114.3	100	114.3	4.575	116	4.5	114.3	170	125	46	16	3/4"
ROUND 8-BOLT	5"	125	5.563	141.3	125	139.7	5.67	144	5.563	141.3	291	245	35	16	3/4"
	6"	150	6.625	168.28	150	165.1	6.73	170	6.625	168.28	291	245	35	16	3/4"
	8"	200					8.66	220	8.58	218	443	373	50	16	1"
ROUND 12-BOLT	10"	250					10.79	274	10.71	272	494	424	50	16	1"